

Serial number from 11001-

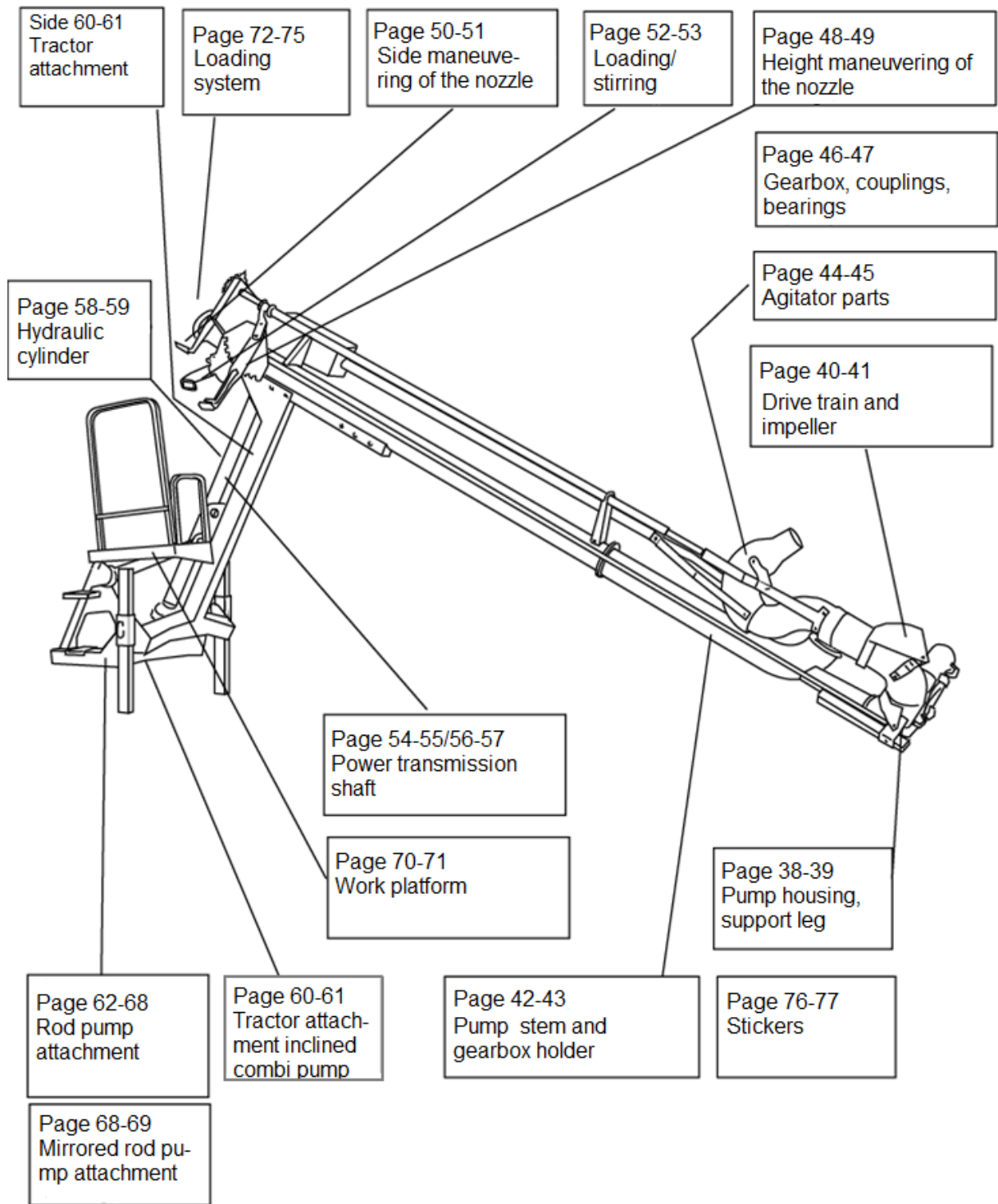


Spare parts catalogue

DUUN

Slurry pump SP200

		Edition: 0703
--	--	---------------





Spare parts catalogue

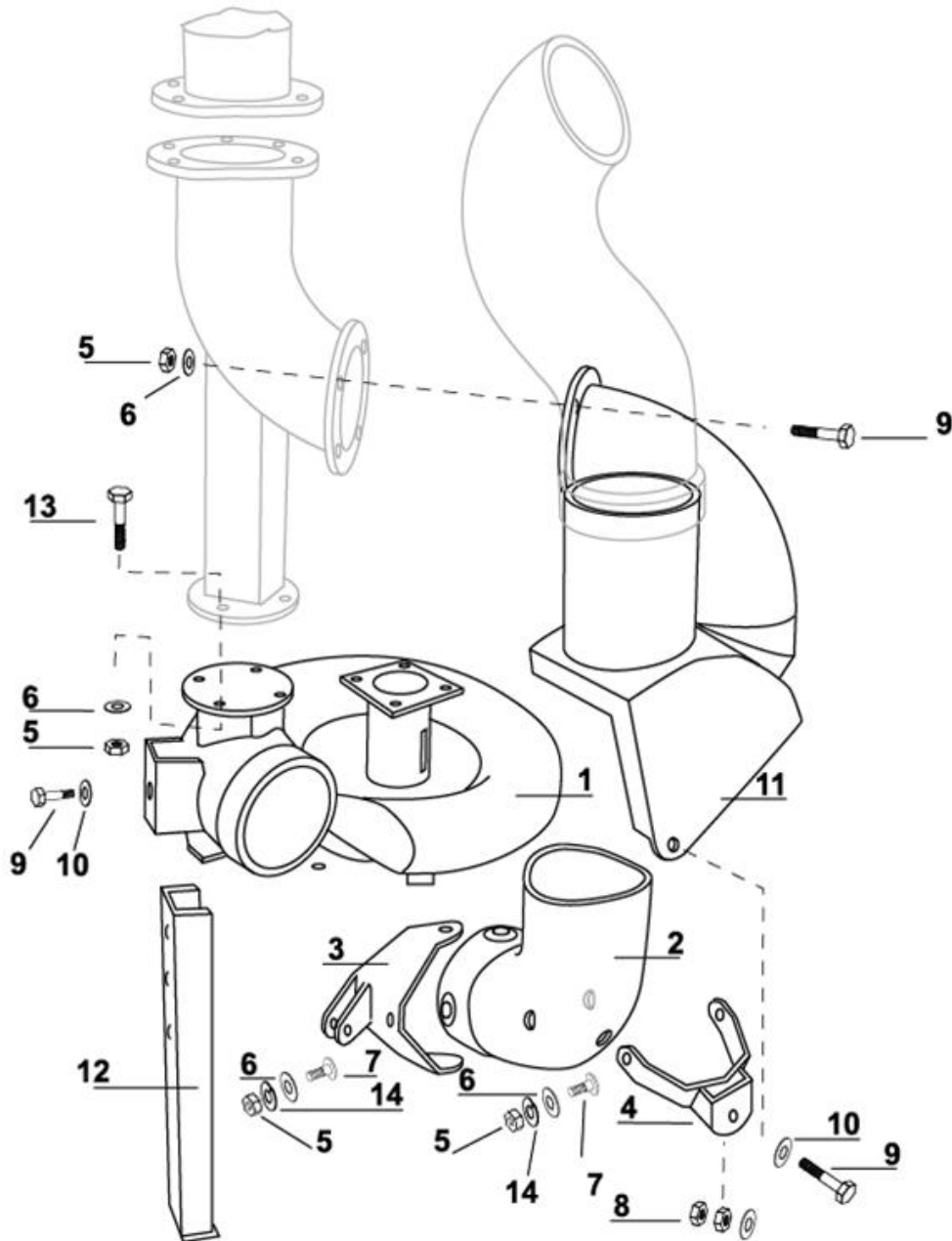
DUUN

Slurry pump SP200

Group: 131-2-3

Pump housing, support leg

Edition: 0205





Spare parts catalogue

DUUN

Slurry pump SP200

Group: 131-2-3	Pump housing, support leg	Edition: 0205
----------------	---------------------------	---------------

Pos.no.	Qty.	Designation	Article no.	Comment
1	1	Pump housing	1312330	
2	1	Outlet bend	2245092	
3	1	Attachment for struts, stirring/loading	1312370	
4	1	Rotation attachment for bend	1312374	
5	10	Nut M10 hot galvanized	2281810	
6	10	Washer M10 hot galvanized	2539060	
7	6	Locking head screw M10x30	2444312	
8	2	Nut M 16 hot galvanized	2481811	
9	2	Hex screw M12x35 hot galvanized	2427350	
10	3	Washer M12 hot galvanized	2539069	
11	1	Shift box	1312336	
12	1	Support leg	1311803	
13	8	Hex screw M12x30 hot galvanized	2427299	
14	6	Spring washer M10 hot galvanized	2539000	



Spare parts catalogue

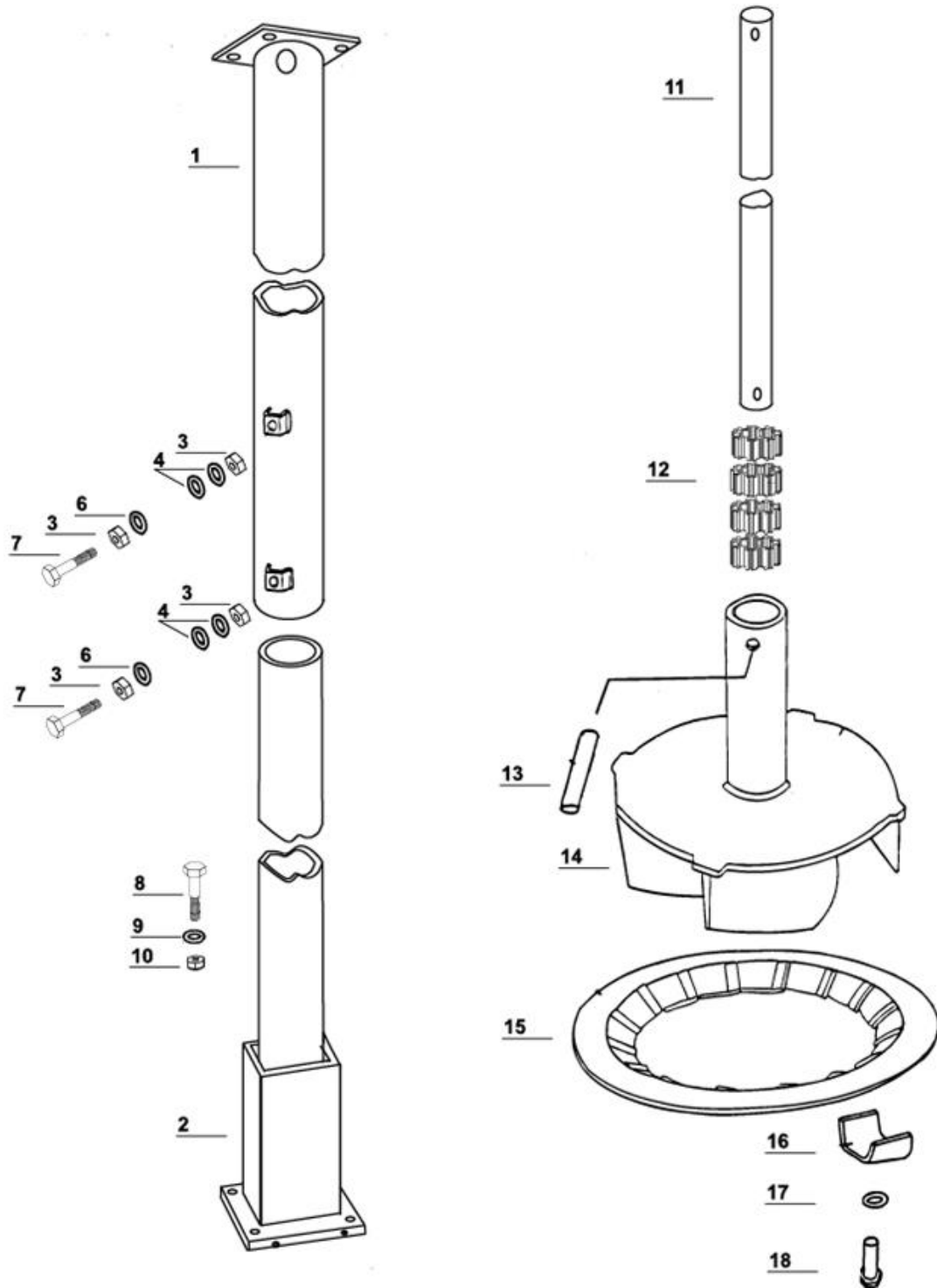
DUUN

Slurry pump SP200

Group: 131-2-3

Drive train and impeller

Edition: 0205





Spare parts catalogue

DUUN

Slurry pump SP200

Group: 131-2-3	Drive train and impeller	Edition: 0205
----------------	--------------------------	---------------

Pos.no.	Qty.	Designation	Article no.	Comment
1	1	Upper cover pipe for shaft	1311807	
2	1	Lower cover tube for shaft	1311808	
3	4	Hexagon nut M10 acid ref.	2489410	
4	8	Plastic washer w/collar Ø11,9/10,2	2245015	
6	2	Washer M10 acid ref	2537060	
7	2	Hex screw M10x40 acid ref.	2429303	
8	4	Hex screw M10x30 hot galvanized	2427299	
9	4	Washer M10 hot galvanized	2539060	
10	4	Hex nut M10 hot galvanized	2481810	
11	1	Drive shaft Ø40 L- 3,0 m	1312371	
		Drive shaft Ø40 L- 3,5m	1312372	
		Drive shaft Ø40 L- 4,0 m	1312373	
12	4	Bearing for impeller	2245028	
13	1	Break pin Ø12x60	2527124	
14	1	Impeller	1312332	
15	1	Cutting ring	1312331	
16	4	Clamp iron	1311904	
17	4	Washer M12 hot galvanized	2539069	
18	4	Hex screw M12x35 hot galvanized	2427350	



Spare parts catalogue

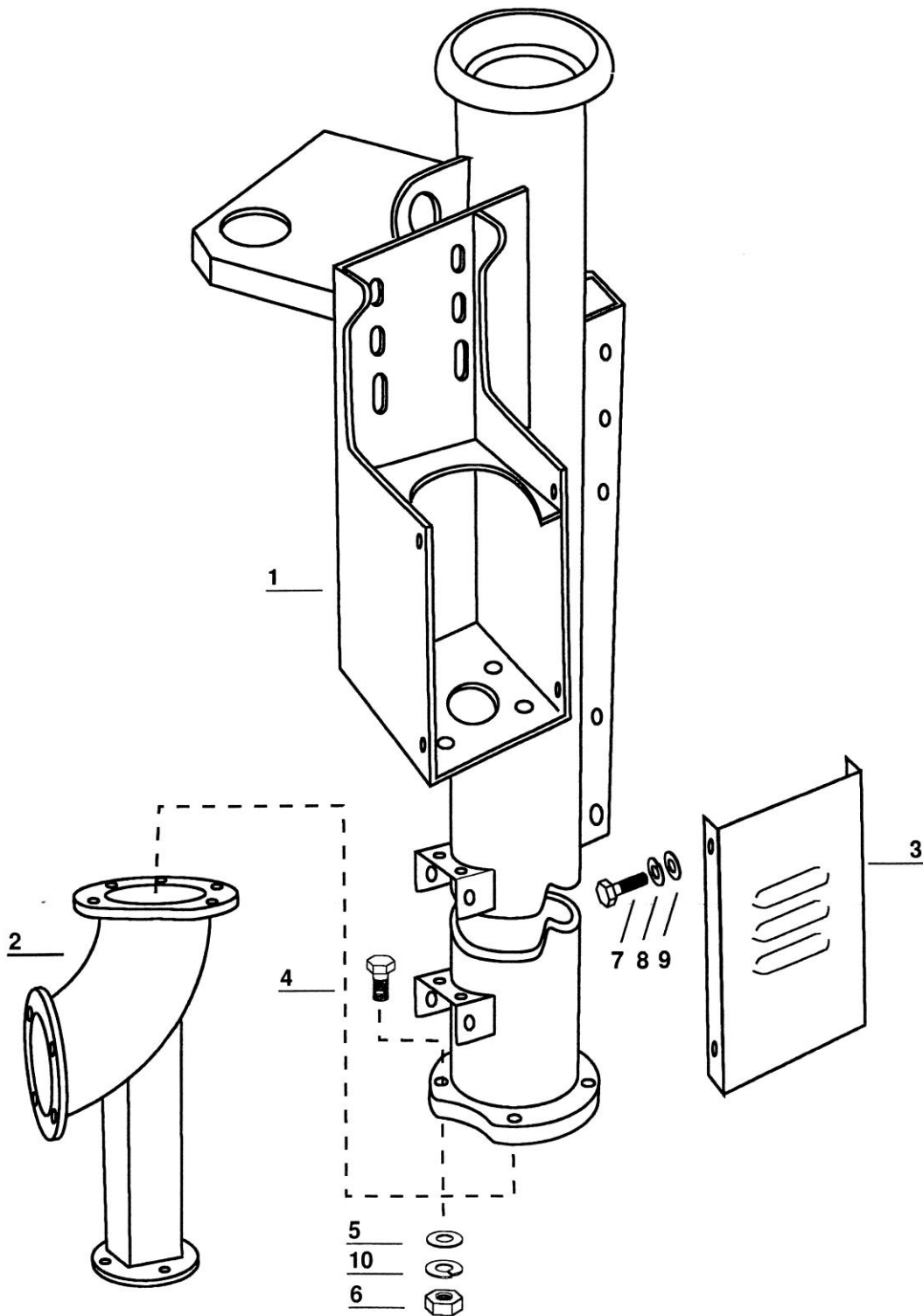
DUUN

Slurry pump SP200

Group: 131-2-3

Pump stem and gearbox holder

Edition: 0205





Spare parts catalogue

DUUN

Slurry pump SP200

Group: 131-2-3	Pump trunk and gearbox holder	Edition: 0205
----------------	-------------------------------	---------------

Pos.no.	Qty.	Designation	Article no.	Comment
1	1	Pump stem	1312335	
2	1	The lower loader tube L-3,0m	1312337	
	1	The lower loader tube L-3,5m	1312338	
	1	The lower loader tube L-4,0 m	1312339	
3	1	Cover over gearbox	1312368	
4	6	Hexagon screw M16x50 hot galvanized	2427493	
5	6	Washer M 16 hot galvanized	2539078	
6	6	Hexagon nut M 16 hot galvanized	2481813	
7	4	Hexagon screw M8x16 hot galvanized	2427240	
8	4	Spring washer M8 hot galvanized	2534047	
9	4	Washer M8 hot galvanized	2539048	
10	6	Spring washer M16 hot galvanized	2539006	
	1	O-ring, included in pump	2957104	



Spare parts catalogue

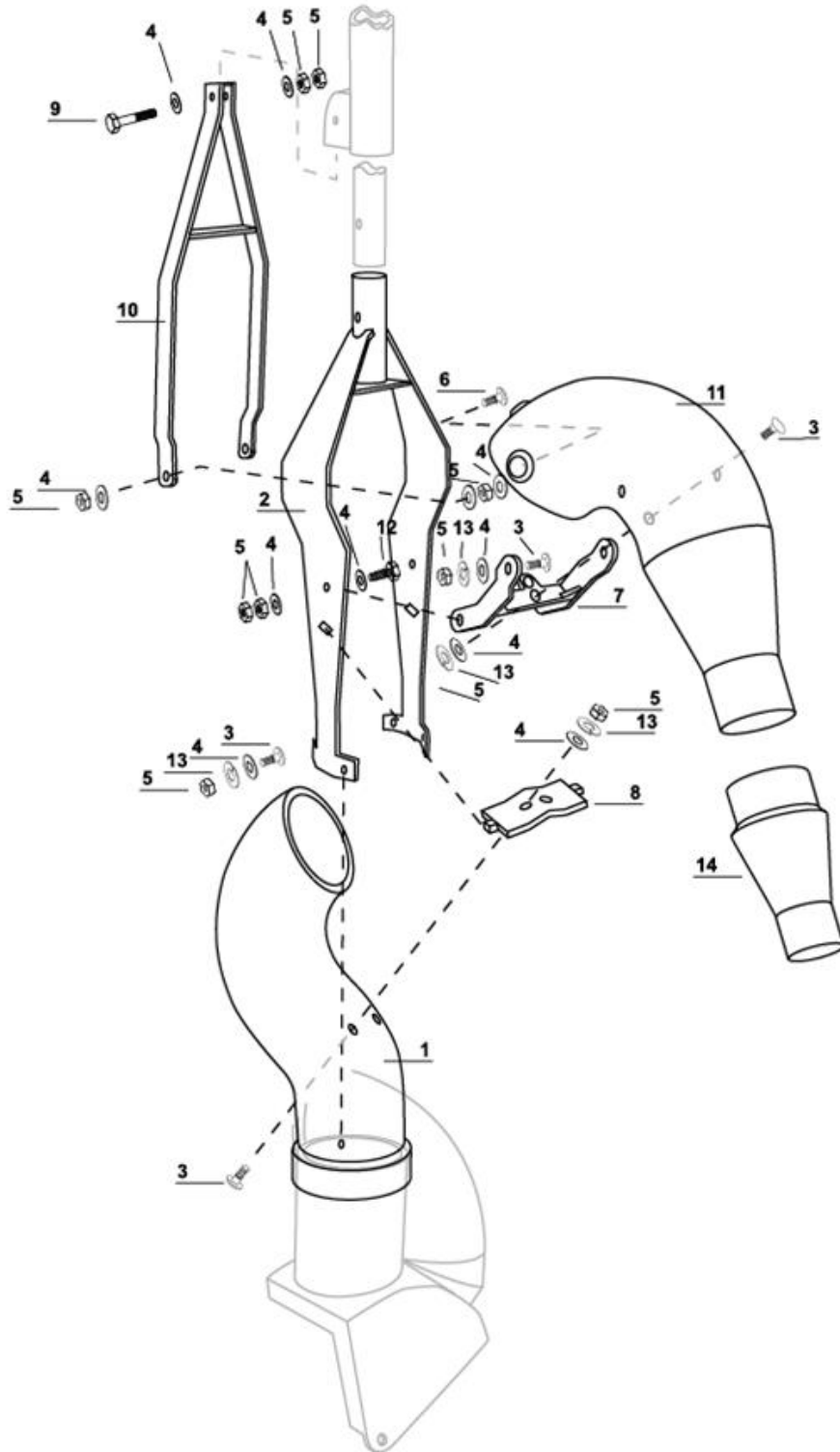
DUUN

Slurry pump SP200

Group: 131-2-3

Agitator parts

Edition: 0205





Spare parts catalogue

DUUN

Slurry pump SP200

Group: 131-2-3	Agitator parts	Edition: 0205
----------------	----------------	---------------

Pos.no.	Qty.	Designation	Article no.	Comment
1	1	The lower stirring tube	2245090	
2	1	Operating part, rotation	1312355	
3	9	Locking head screw M 10x30 hot galvanized	2444312	
4	21	Washer M 10 hot galvanized	2539060	
5	19	Hexagon nut M 10 hot galvanized	2481810	
6	2	Locking head screw M 10x45 hot galvanized	2444315	
7	1	Attachment for nozzle bend	1312356	
8	1	Bracing	1312380	
9	1	Hexagon screw M10x70 hot galvanized	2427312	
10	1	Height adjustment fork	1312357	
11	1	Nozzle bend	2245091	
12	2	Hexagon screw M10x35 hot galvanized	2427301	
13	9	Spring washer M10 hot galvanized	2539000	
14	1	Nozzle Ø75 w/screws	2245093	



Spare parts catalogue

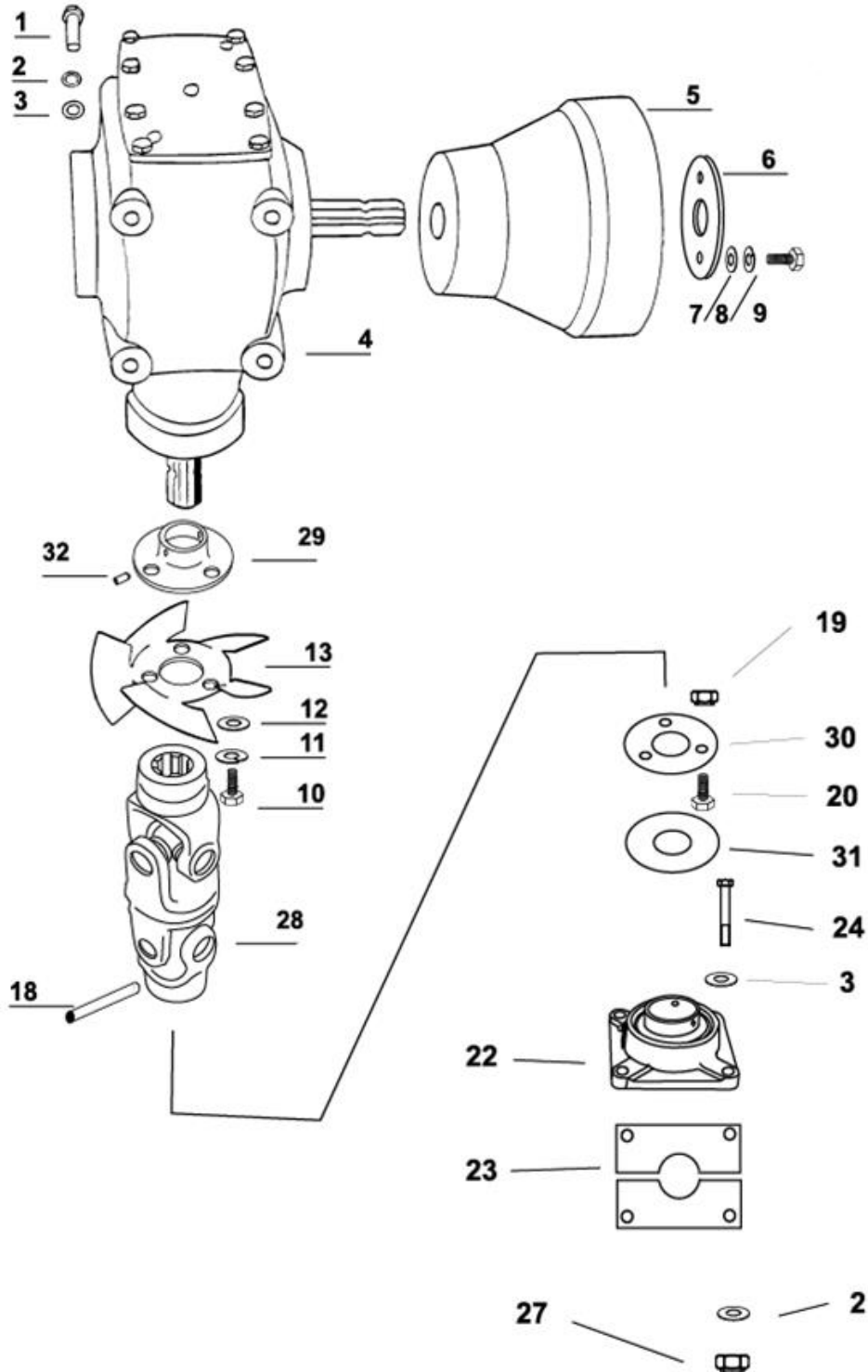
DUUN

Slurry pump SP200

Group: 131-2-3

Gearbox, couplings, bearings

Edition: 0205





Spare parts catalogue

DUUN**Slurry pump SP200**

Group: 131-2-3	Gearbox, couplings, bearings	Edition: 0205
----------------	------------------------------	---------------

Pos.no.	Qty.	Designation	Article no.	Comment
1	4	Hexagon screw M16x30 hot galvanized	2427485	
2	8	Spring washer M16 galvanized	2534078	
3	8	Washer M16 hot galvanized	2539078	
4	1	Gearbox	2961122	
5	1	Protection funnel	2962135	
6	1	Fixing washer Ø125	1312379	
7	2	Washer M8 hot galvanized	2539048	
8	2	Spring washer M8 galvanized	2534047	
9	2	Hexagon screw M8x25 hot galvanized	2427246	
10	3	Hexagon screw M6x10 galvanized	2422196	
11	3	Spring washer M6 galvanized	2534039	
12	3	Washer M6 galvanized	2531039	
13	1	Fan	1311848	
18	1	Lock pin Ø13x70	2527130	
19	1	Nut 6kt Mech. Lock M10	2489610	
20	3	Hexagon screw M10x40 galvanized	2425303	
22	1	Flange bearing UCF X08	2954160	to 04100
22	1	Flange bearing UCF 308	2954162	from 05001
23	2	Sealing plate	1311852	
24	4	Hexagon screw M16x50 hot galvanized	2427493	to 04100
24	4	Hexagon screw M16x60 hot galvanized	2427495	from 05001
27	4	Hexagon nut M16 hot galvanized	2481813	
28	1	Double joint, type 50 (unbalanced)	2962160	
29	1	Attachment for fan	1312013	
30	1	Plate for adjustment	1312014	
31	1	Plate against flange bearing	1312015	
32	2	Unbraco M6x8	2473195	

Gear oil Mereta 150/220 – 1,5 ltr



Spare parts catalogue

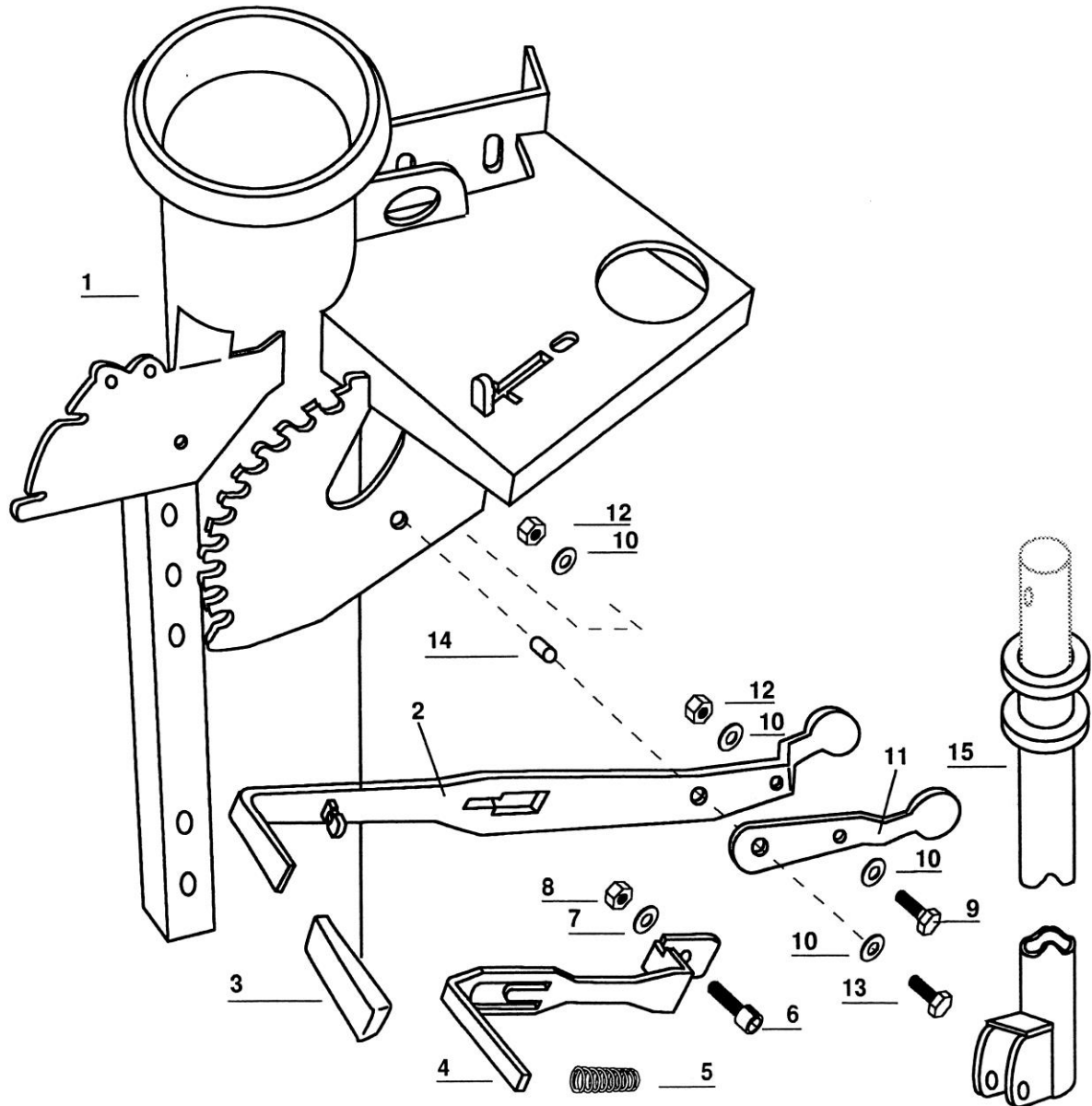
DUUN

Slurry pump SP200

Group: 131-2-3

Height maneuvering of the nozzle

Edition: 0205





Spare parts catalogue

DUUN

Slurry pump SP200

Group: 131-2-3	Height maneuvering of the nozzle	Edition: 0205
----------------	----------------------------------	---------------

Pos.no.	Qty.	Designation	Article no.	Comment
1	1	Pump stem	1312335	
2	1	Handle, height man. of nozzle	1312353	
3	1	Plastic handle	2245062	
4	1	Locking handle	1312354	
5	1	Spring pressure Ø15x1,75 L:45	2912014	
6	1	Unbraco M 8x16, galvanized	2472310	
7	1	Washer M8 hot galvanized	2539048	
8	1	Hexagon nut M8 lock. galvanized	2483609	
9	1	Hexagon screw M10x30 hot galvanized	2427299	
10	1	Washer M10 hot galvanized	2539060	
11	1	Part for operating fork	1312352	
12	2	Hexagon nut M10 lock. galvanized	2483610	
13	1	Hexagon screw M10x35 hot galvanized	2428310	
14	1	Bushing	1311880	
15	1	Tube for height regulation L-3,0	1312349	
	1	Tube for height regulation L-3,5	1312350	
	1	Tube for height regulation L-4,0	1312351	
	1	O-ring, included in pump	2957104	



Spare parts catalogue

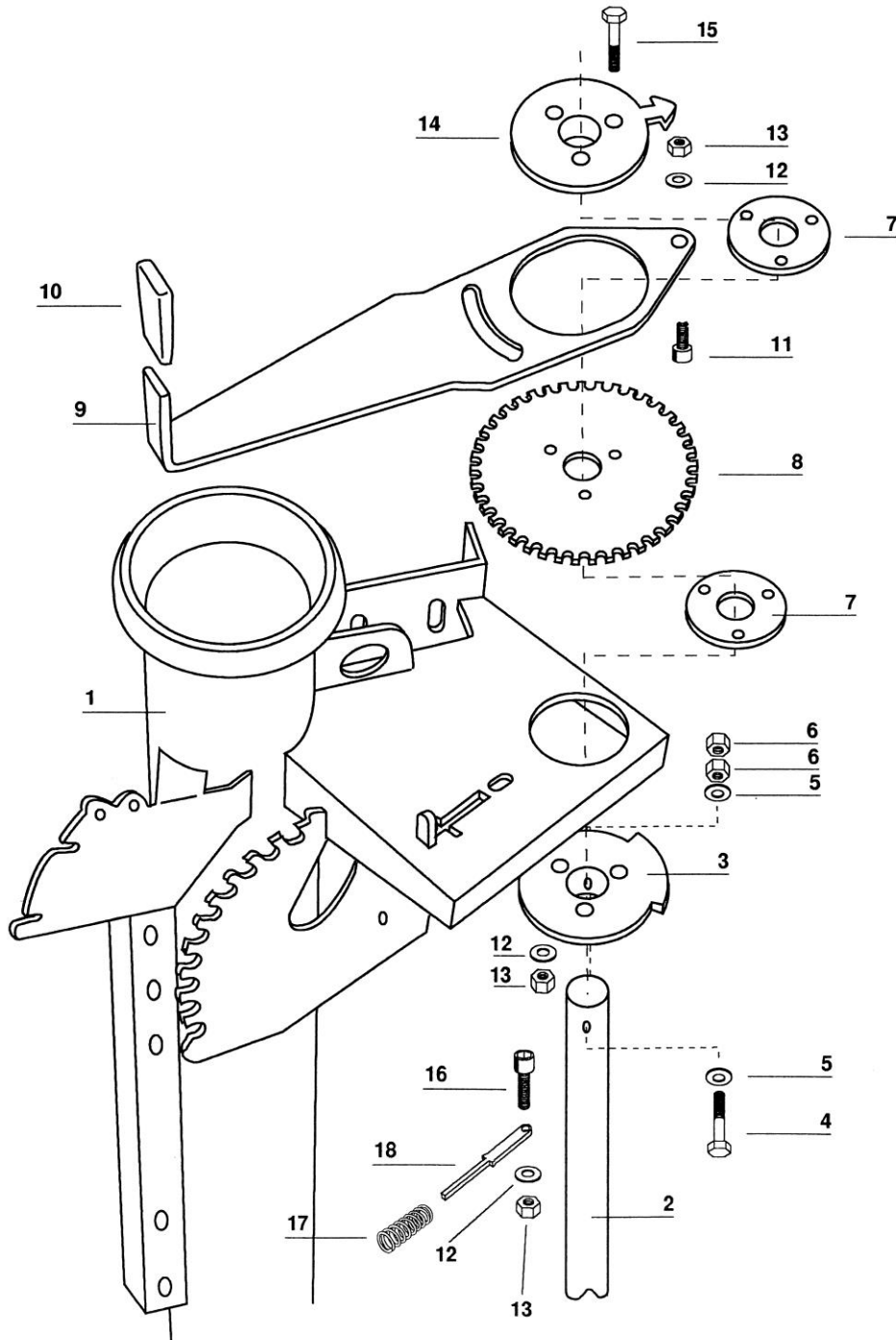
DUUN

Slurry pump SP200

Group: 131-2-3

Side maneuvering of the nozzle

Edition: 0205





Spare parts catalogue

DUUN

Slurry pump SP200

Group: 131-2-3	Side maneuvering of the nozzle	Edition: 0205
----------------	--------------------------------	---------------

Pos.no.	Qty.	Designation	Article no.	Comment
1	1	Pump stem	1312335	
2	1	Strut for rotation L-3,0	1312346	
	1	Strut for rotation L-3,5	1312347	
	1	Strut for rotation L-4,0	1312348	
3	1	Rotation attachment for strut	1312340	
4	1	Hexagon screw M10x70 hot galvanized	2427312	
5	2	Washer M10 hot galvanized	2539060	
6	2	Hexagon nut M10 hot galvanized	2481810	
7	2	Spacer plate	1312343	
8	1	Cog wheel	1312344	
9	1	Handle for regulating rotation	1312341	
10	1	Plastic handle	2245062	
11	1	Unbraco M 8x16, galvanized	2472310	
12	5	Washer M8 hot galvanized	2539048	
13	5	Hexagon nut M8 lock. galvanized	2483609	
14	1	Direction indicator rotation	1312342	
15	3	Hexagon screw M8x50 hot galvanized	2427256	
16	1	Unbraco M 8x25, galvanized	2472315	
17	1	Spring pressure Ø15x1,75 L:45	2912014	
18	1	Lock pin rotation	1312345	
	1	O-ring, included in pump	2957104	



Spare parts catalogue

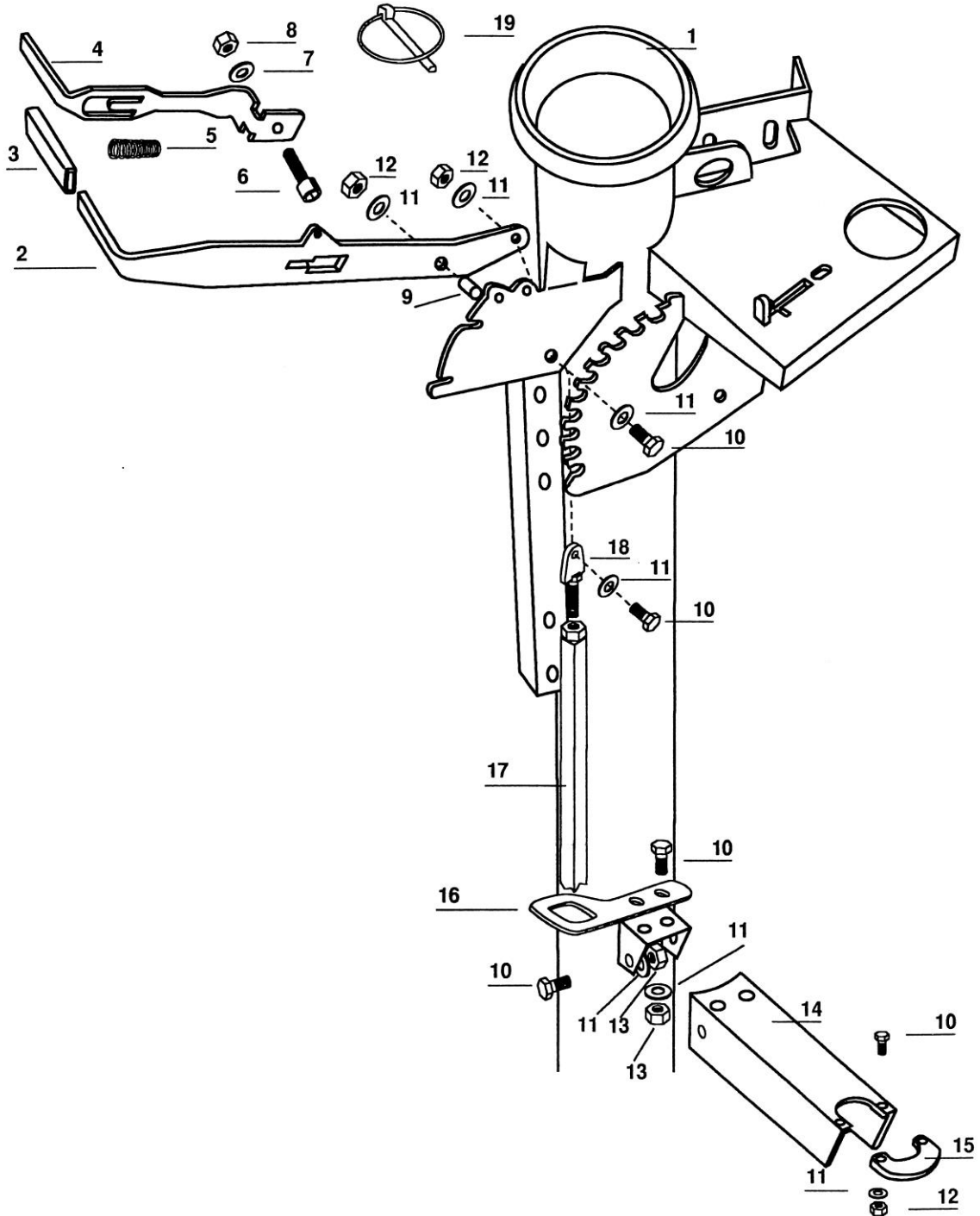
DUUN

Slurry pump SP200

Group: 131-2-3

Loading/stirring

Edition: 0205





Spare parts catalogue

DUUN

Slurry pump SP200

Group: 131-2-3	Loading/stirring	Edition: 0205
----------------	------------------	---------------

Pos.no.	Qty.	Designation	Article no.	Comment
1	1	Pump stem	1312335	
2	1	Handle, loading/ stirring	1312375	
3	1	Plastic handle	2245062	
4	1	Locking handle	1312354	
5	1	Spring pressure Ø15x1,75 L:45	2912014	
6	1	Unbraco M 8x16, galvanized	2472310	
7	1	Washer M8 hot galvanized	2539048	
8	1	Hexagon nut M8 lock. galvanized	2483609	
9	1	Bushing	1311880	
10	1	Hexagon screw M10x30 hot galvanized	2427299	
11	10	Washer M10 hot galvanized	2539060	
12	2	Hexagon nut M10 lock. galvanized	2483610	
13	6	Hexagon nut M10 hot galvanized	2481810	
14	1	Support for strut (L- 3,4 og L-4,4)	1312383	
15	1	Locking plate for strut	1312381	
16	1	Steering for strut	1312382	
17	1	Strut, loading/stirring L-3,0	1312359	
	1	Strut, loading/stirring L-3,5	1312360	
	1	Strut, loading/stirring L-4,0	1312361	
18	1	Adjustment screw for strut	13127025	
19	1	Locking pin w/ chain, 10x45	2556127	
	1	O-ring, included in pump	2957104	



Spare parts catalogue

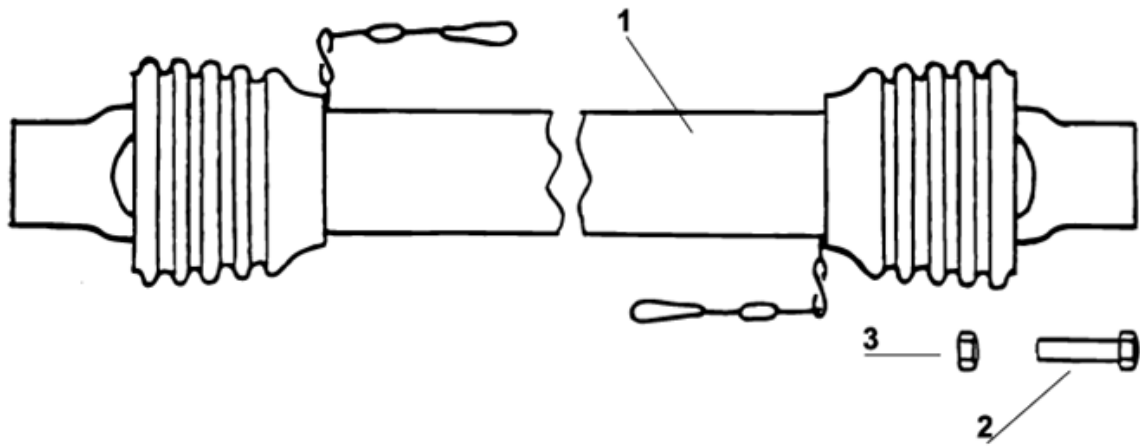
DUUN

Slurry pump SP200

Group: 131-2-3

Rod pump power transmission shaft

Edition: 0205





Spare parts catalogue

DUUN

Slurry pump SP200

Group: 131-2-3	Rod pump power transmission shaft	Edition: 0205
----------------	-----------------------------------	---------------

Pos.no.	Qty.	Designation	Article no.	Comment
1	1	Power transmission shaft L=1410 w/cutt.b	2962148	
2	1	Hexagon screw M10x50 qval. 8.8	2422256	
3	1	Hexagon nut M8 qval.8.8	2481609	

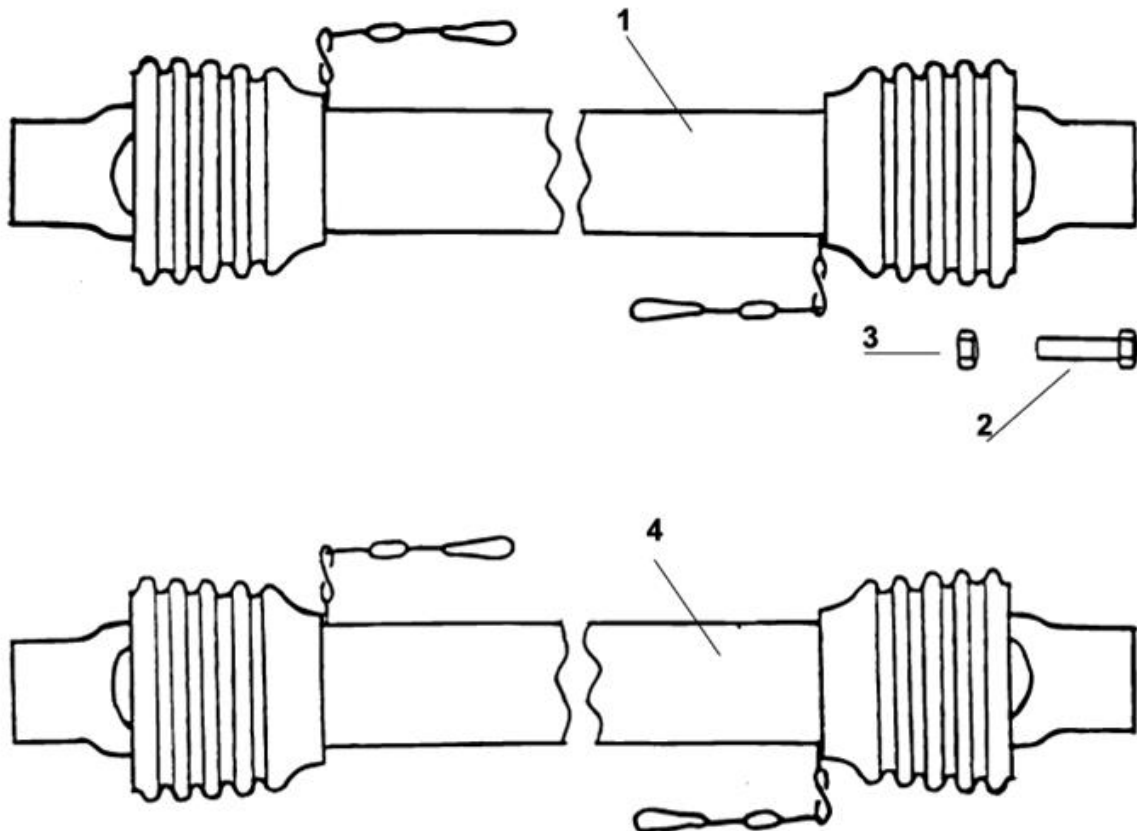


Spare parts catalogue

DUUN

Slurry pump SP200

Group: 131-2-3 | Power transmission shaft combi - inclined pump | Edition: 0205





Spare parts catalogue

DUUN

Slurry pump SP200

Group: 131-2-3	Power transmission shaft combi - inclined pump	Edition: 0205
----------------	--	---------------

Pos.no.	Qty.	Designation	Article no.	Comment
1	1	Power transmission shaft L=610 w/cutt.b	2962146	to 2009
1	1	Power transmission shaft 810 without/cutt.b. AB4	2962164	from 2009
2	1	Hexagon screw M8x50 qval. 8.8	2422256	
3	1	Hexagon nut M8 qval.8.8	2481609	
4	1	Power transmission shaft I L=1410 without/cutt.b.	2962147	to 2009
4	1	Power transmission shaft 1410 w/cutt.b.AB4	2962148	from 2009



Spare parts catalogue

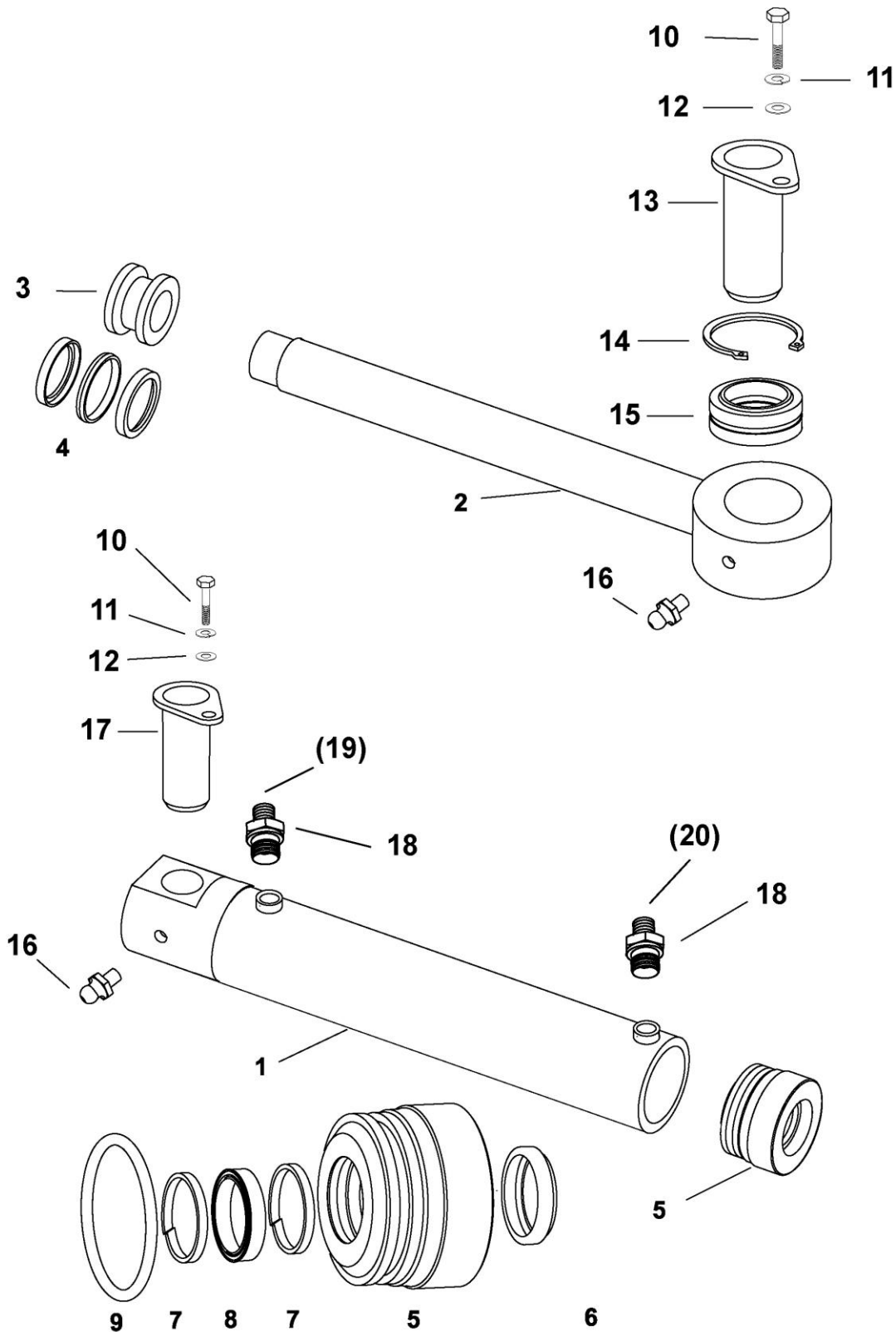
DUUN

Slurry pump SP200

Group: 131-2-3

Hydraulic cylinder

Edition: 0205





Spare parts catalogue

DUUN

Slurry pump SP200

Group: 131-2-3	Hydraulic cylinder	Edition: 0205
----------------	--------------------	---------------

Pos.no.	Qty.	Designation	Article no.	Comment
1	1	Cylinder tube	1312362	
2	1	Piston rod	1312363	
3	1	Piston	1235153	
4	1	Compact seal SIMKO 320 80-66-16-32	2234360	
5	1	Package box	1233197	
6	1	Wiper AUAS 40-50-7-10	2232833	
7	2	Guide band	1233153	
8	1	Compact seal KL310 40-48-8-9	2232137	
9	1	O-ring Ø72-5	2233070	
10	2	Hexagon screw M10x20 8.8 galvanized	2422295	
11	2	Spring washer M10 galvanized	2534060	
12	2	Washer M10 galvanized	2531060	
13	1	Bolt for cylinder strut with three-point linkage	1312365	
14	1	Seeger ring	2553262	
15	1	Spherical bearing GE 40 ES	2954140	
16	2	Grease nipple	2478410	
17	1	Bolt for cylinder/strut with adjustable attachment	1312366	
18	2	Hexagon nipple R3/8" 12mm	2957749	
19	1	Hydraulic hose L-2000	2958113	
20	1	Hydraulic hose L-2500	2958116	
		Complete hydraulic cylinder with hoses	1312364	



Spare parts catalogue

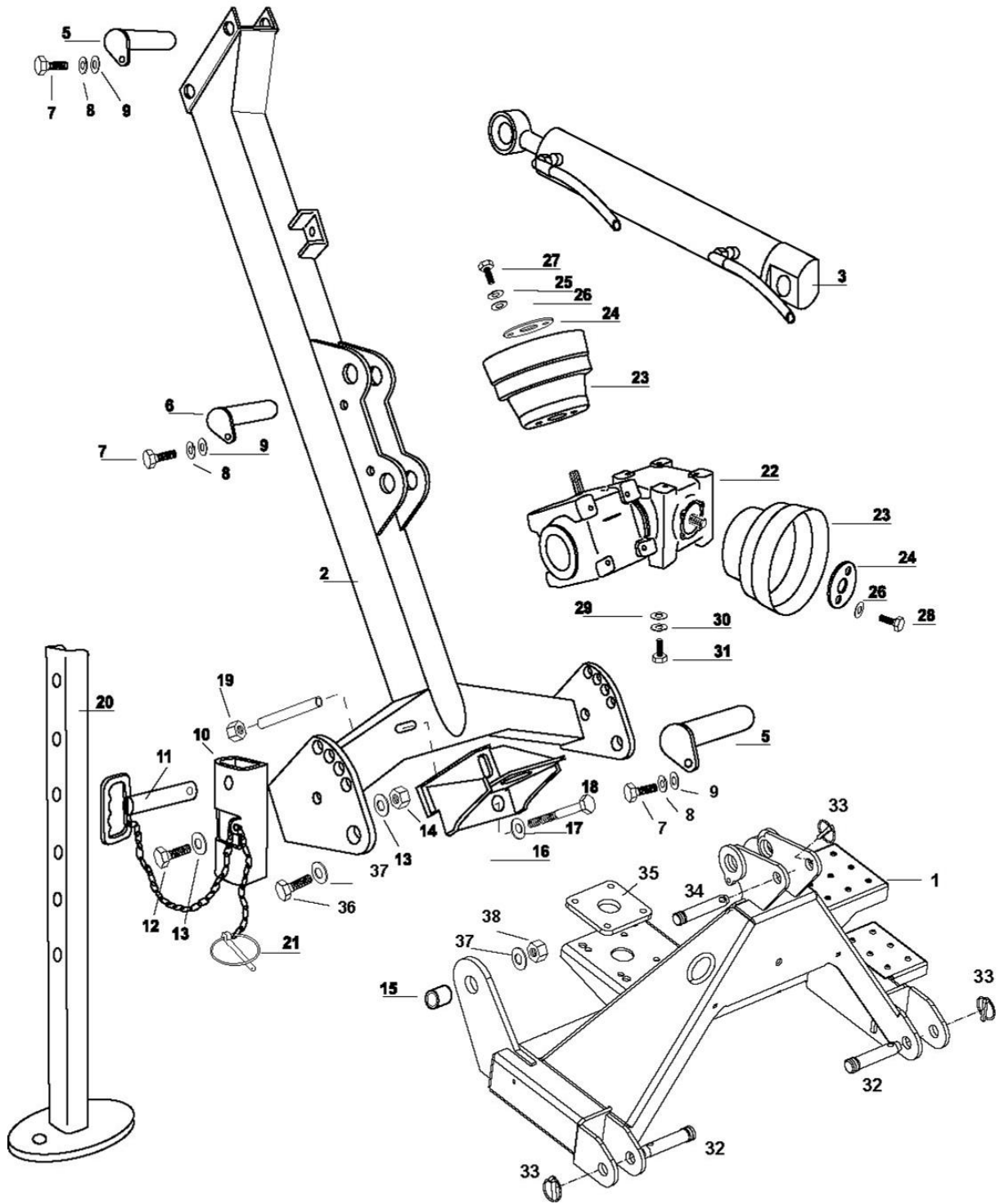
DUUN

Slurry pump SP200

Group: 131-2-3

Tractor attachment inclined combi pump

Edition: 0205





Spare parts catalogue

DUUN**Slurry pump SP200**

Group: 131-2-3	Tractor attachment inclined combi pump	Edition: 0205
----------------	--	---------------

Pos.no.	Qty.	Designation	Article no.	Comment
1	1	Three-point linkage	13127001	from snr10020
		Three-point linkage	1312334	to snr10019
2	1	Pump attachment	1312325	from snr10020
		Pump attachment	1312333	to snr10019
3	1	Hydraulic cylinder for combi pump	1312364	
4	1	Strut for inclined pump	1312391	
5	3	Bolt for cylinder/strut with three-point linkage	1312365	
6	1	Bolt for cylinder/strut at boom	1312366	
7	2	Hexagon screw M10x20 galvanized	2422295	
8	2	Spring washer M10 galvanized	2534060	
9	2	Washer M10 galvanized	2531060	
10	2	Holder for support legs	1311942	
11	2	Adjustment bolt for support leg	1311944	
12	2	Hexagon screw M16x60 galvanized	2422495	
13	4	Washer M16 galvanized	2531078	
14	2	Hexagon nut M16 locking, galvanized	2483613	
15	2	Bushing	1312288	from snr10020
	2	Bushing	1312377	to snr10019
16	1	Gearbox support	1312376	
17	2	Washer M12 galvanized	2531069	
18	1	Hexagon screw M12x150 galvanized	2422370	
19	1	Hexagon nut M 12 locking, galvanized	2483611	
20	2	Support leg	1312497	
21	2	Locking pin w/chain	2556127	
22	1	Double gearbox	2961181	
23	2	Protection funnel	2962135	
24	2	Fixing washer	1312379	
25	2	Spring washer M8 galvanized	2534047	
26	4	Washer M8 hot galvanized	2531047	
27	2	Hexagon screw M8x25 hot galvanized	2427246	
28	2	Hexagon screw M8x16 hot galvanized	2427240	
29	4	Washer M12 galvanized	2531069	
30	4	Spring washer M12 galvanized	2534069	
31	4	Hexagon screw M12x30 galvanized	2422348	
32	2	Drawbar bolt cat. II 28X95	2551730	
33	3	Linch pin Ø10x50mm (locking pin)	2556143	
34	1	Top strut bolt cat. II 25,4X103mm	2526326	
35	1	Shims gearbox	13127002	from snr10020
36	2	Screw 6kt m20x65 8.8 galvanized	2422578	from snr10020
37	2	Locking nut m20 8.8 galvanized	2483615	from snr10020
38	4	Washer m20 galvanized	2531086	from snr10020



Spare parts catalogue

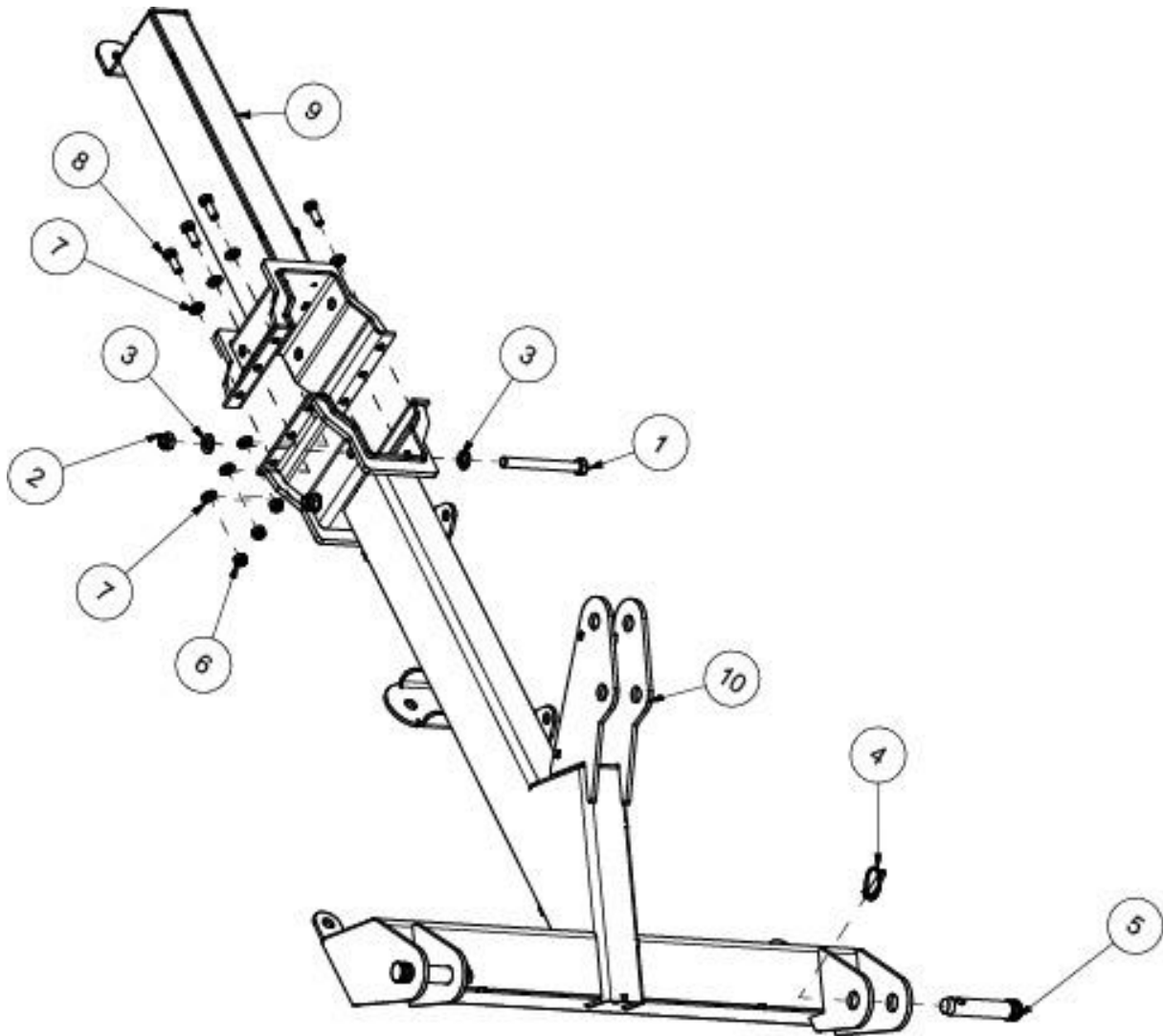
DUUN

Slurry pump SP200

Group : 131-

Tractor attachment

Edition : 06.2011





Spare parts catalogue

DUUN

Slurry pump SP200

Group: 131-	Tractor attachment	Edition : 06.2011
-------------	--------------------	-------------------

Pos.no.	Qty.	Article no.	Designation	Comment
1	2	2422507	Hexagon screw M16x150 EIZn 8.8 DIN 931	
2	2	2483613	Locking nut M16 EIZn DIN 985	
3	4	2531078	Washer M16 EIZn DIN 125	
4	2	2556143	Locking pin Ø10x50	
5	2	2551730	Drawbar bolt cat. 2 Ø28x95	
6	6	2483611	Locking nut M12 EIZn DIN 985	
7	12	2531069	Washer M12 EIZn DIN 125	
8	6	2422350	Hexagon screw M12x35 EIZn 8.8 DIN 933	
9	1	13127023	Support arm SP200	
10	1	13127022	Three-point linkage SP200, Rod	



Spare parts catalogue

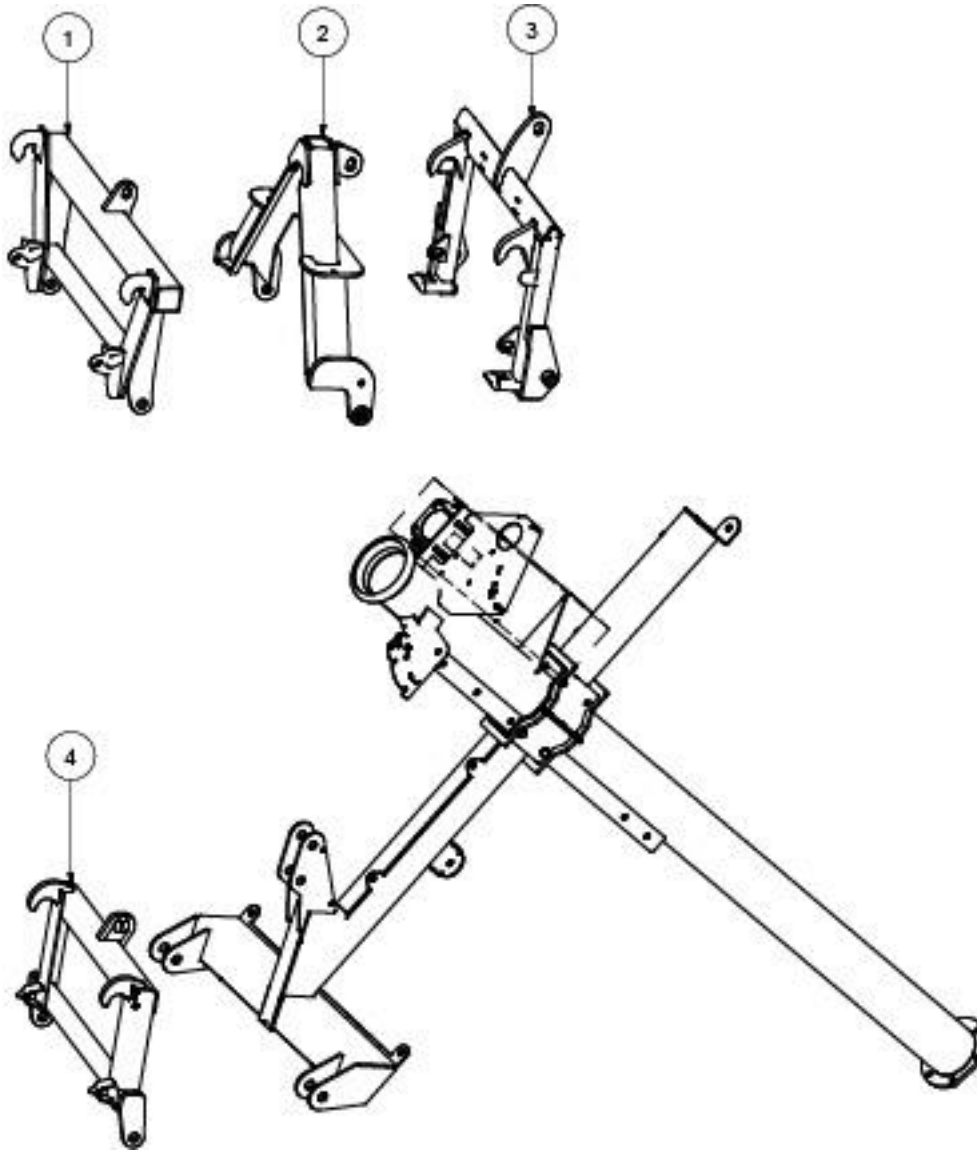
DUUN

Slurry pump SP200

Group: 131-

Utensil fastening

Edition: 06.2011





Spare parts catalogue

DUUN

Slurry pump SP200

Group: 131-	Utensil fastening	Edition: 06.2011
-------------	-------------------	------------------

Pos.no.	Qty.	Article no.	Designation	Comment
1	1	1261516	Utensil fastening EURO front loader	
2	1	1252637	Utensil fastening Triangle	
3	1	1252638	Utensil fastening HVM	
4	1	1261515	Utensil fastening SMS Trima	

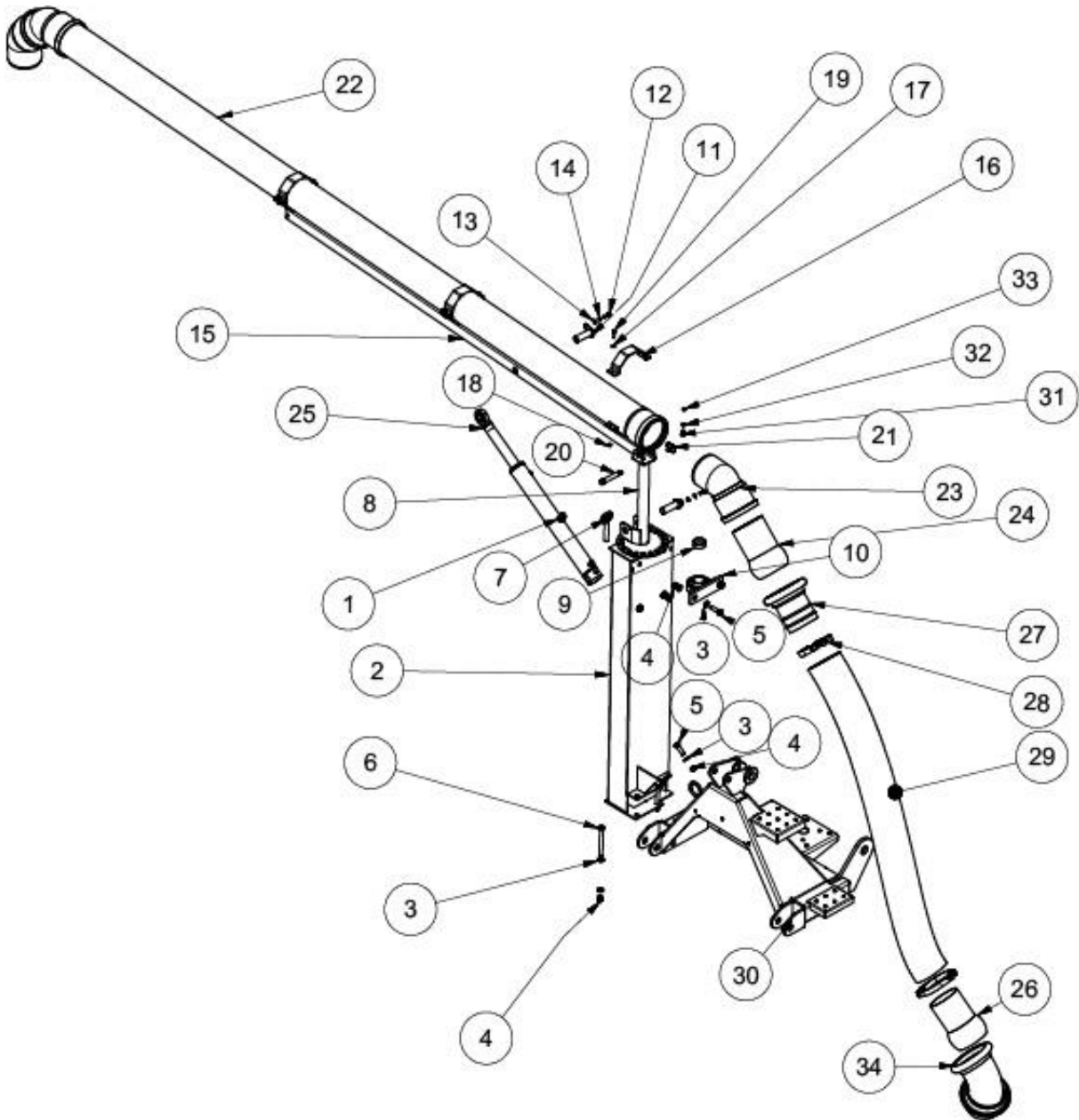


Spare parts catalogue

DUUN

Slurry pump SP200

Group: 131-	Side mounted loading system	Edition: 06.2011
-------------	-----------------------------	------------------





Spare parts catalogue

DUUN**Slurry pump SP200**

Group: 131-	Side mounted loading system	Edition: 06.2011
-------------	-----------------------------	------------------

Pos.no.	Qty.	Article no.	Designation	Comment
1	4	2245071	Plastic plug Ø40	
2	1	13127014	Frame	
3	14	2531078	Washer M16 EIZn DIN 125	
4	7	2483613	Locking nut M16 EIZn DIN 985	
5	5	2422493	Hexagon screw M16x50 EIZn 10.9 DIN 933	
6	2	2422507	Hexagon screw M16x150 EIZn 8.8 DIN 931	
7	1	13127009	Bolt f/locking rotation	
8	1	13127008	Rotation	
9	1	31271013	Spacer sleeve bearing	
10	2	2954206	Leg bearing UCP 210 50mm	
11	2	13127011	Bolt for cylinder	
12	2	2422297	Hexagon screw M10x25 EIZn 8.8 DIN 933	
13	2	2531060	Washer M10 EIZn DIN 125	
14	2	2534060	Spring washer M10 EIZn DIN 127	
15	1	13127010	Bracing PVC tube	
16	3	13127012	Clamps PVC tube	
17	12	2531047	Washer M8 EIZn DIN 125	
18	6	2483609	Locking nut M8 EIZn DIN 985	
19	6	2422248	Hexagon screw M8x30 EIZn 8.8 DIN 933	
20	1	2526320	Top strut bolt cat.1 Ø19x86	
21	1	2556143	Locking pin Ø10x50	
22	1	2244216	Pl. tube Ø 160mm w/1muf. L-4000mm	
23	3	2245080	Bend Ø 160mm 45gr. BLACK	
24	1	2957105	Bauer coupling.6"HA.kj.galv.Ø159mm	
25	1	2955365	Cylinder 65/45 SL480	
26	1	2957106	Bauer coupling 6"HA.kj.galv.Ø150mm	
26	1	2957109	Clamping ring for bauer connection	
27	1	2957107	Bauer coupling.6"HU.galv.Ø150mm	
28	2	2544275	Sl.clamp PA-RI - 170	
29	1	2244262	Hose 6" Spiral arm.L-3,15m	
30	1	13127001	Three point linkage SP200/400	
31	1	2441246	Locking screw M8x25 A4 DIN 603	
32	1	2537047	Washer M8 A4 DIN 125	
33	1	2489408	Hexagon nut M8 A4 DIN934	
34	1	1312020	60 bend w/6" bauer	



Spare parts catalogue

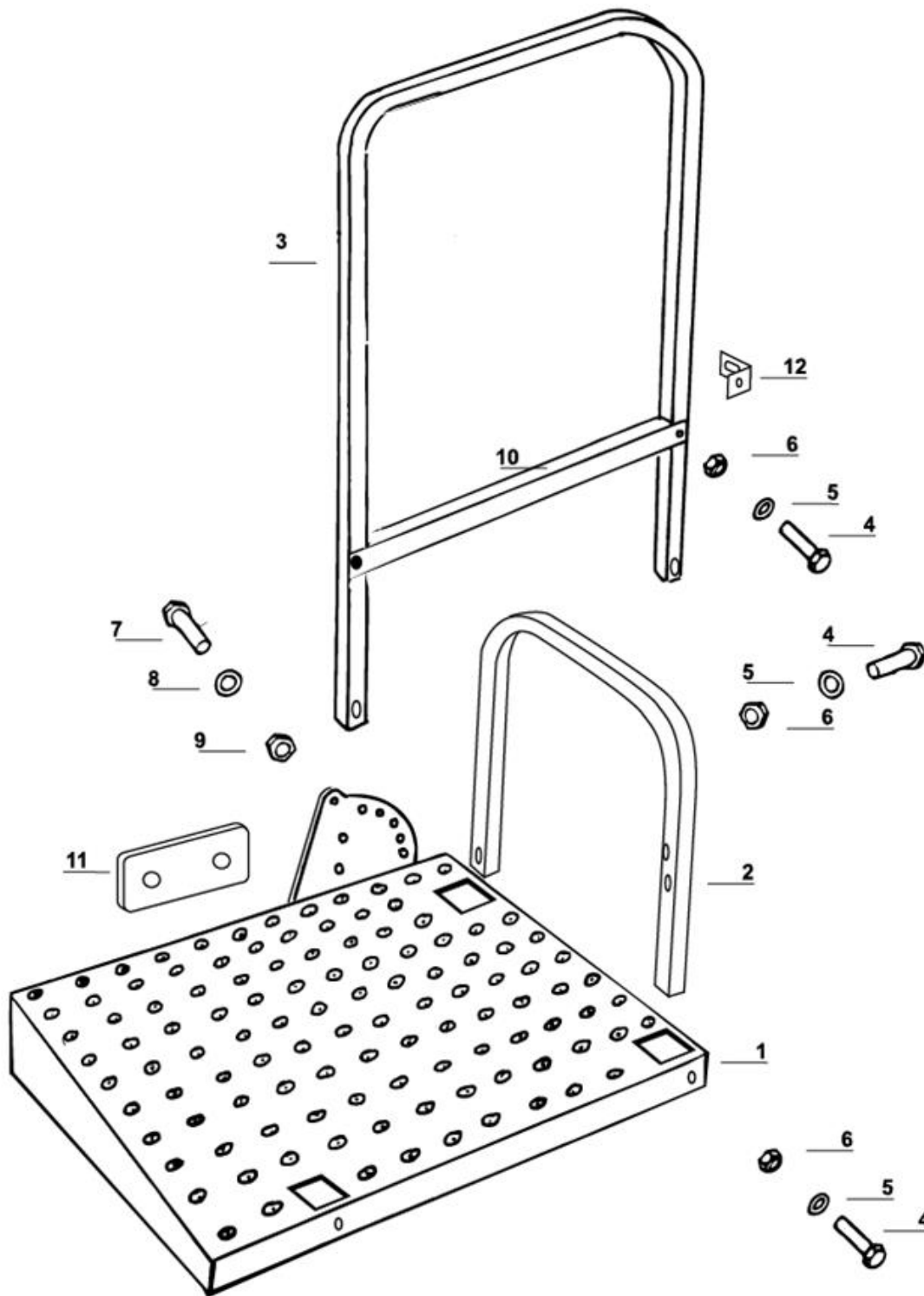
DUUN

Slurry pump SP200

Group: 131-2-3

Work platform

Edition: 0205





Spare parts catalogue

DUUN

Slurry pump SP200

Group: 131-2-3	Work platform	Edition: 0205
----------------	---------------	---------------

Pos.no.	Qty.	Designation	Article no.	Comment
1	1	Platform	1312367	
2	1	Handrail, narrow	1312385	
3	1	Handrail, wide	1312378	
4	7	Hexagon screw M8x45 galvanized	2427254	
5	7	Washer M8 galvanized	2531047	
6	7	Hexagon nut lock. galvanized	2483609	
7	1	Hexagon screw M16x60 galvanized	2422495	
8	1	Washer M16 galvanized	2531078	
9	1	Hexagon nut M16 lock. galvanized	2483613	
10	1	Handrail part	1312386	
11	1	Spacer plate	1312384	
12	1	Fastening for handrails	1311981	



Spare parts catalogue

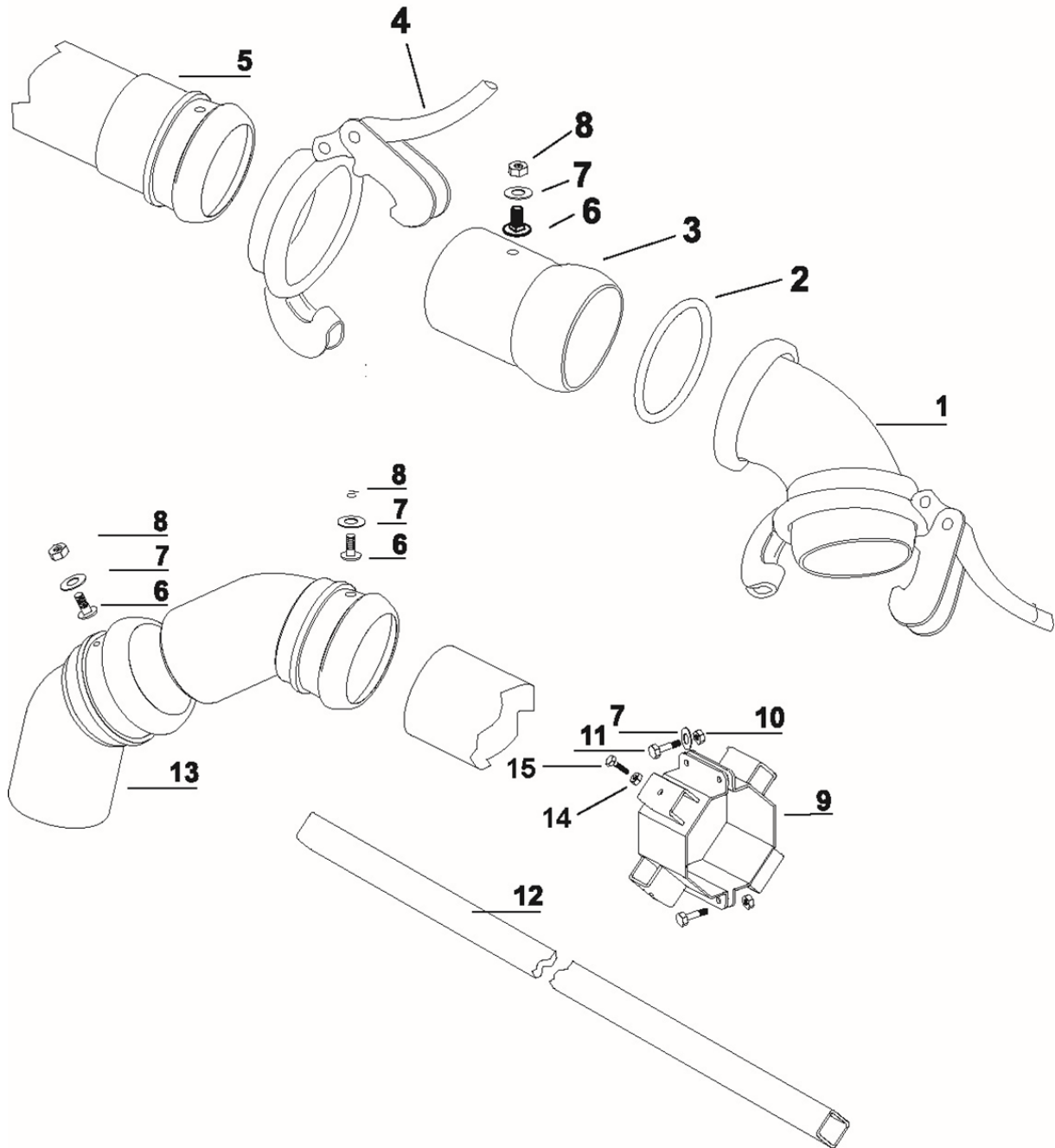
DUUN

Slurry pump SP200

Group: 131-2-3

Loading system inclined combi

Edition: 0205





Spare parts catalogue

DUUN

Slurry pump SP200

Group: 131-2-3	Loading system inclined combi	Edition: 0205
----------------	-------------------------------	---------------

Pos.no.	Qty.	Designation	Article no.	Comment
1	1	Bauer coupling 6" male/female with 60' bend	1312020	
1	1	Bauer Coupling 6" male/ female mm/45'-bend	1312021	
1	1	Bauer coupling 6" male/female with 90' bend	1312022	
2	1	O-ring, included in bend	2957104	
3	1	Bauer coupling 6" male with tube \varnothing 159	2957105	
4	1	Clamping ring for bauer connection	2957109	
5	1	Plastic tube PP 6" w/socket L: 4m	2244216	
6	3	Locking head screw M8x25	2441246	
7	7	Washer M8 hot galvanized	2539048	
8	3	Hexagon nut M8 hot galvanized	2481809	
9	2	Loading tube rack	1312026	
10	4	Locking nut M8	2483609	
11	4	Hexagon screw m8x25 hot galvanized	2427246	
12	2	Legs for the rack L=3m	1311899	
13	2	Plastic bend PP 45'		
14	2	Nut 6kt m12 hot galvanized 8.8	2481811	
15	2	Hexagon screw M12x35 hot galvanized 8.8	2427350	



Spare parts catalogue

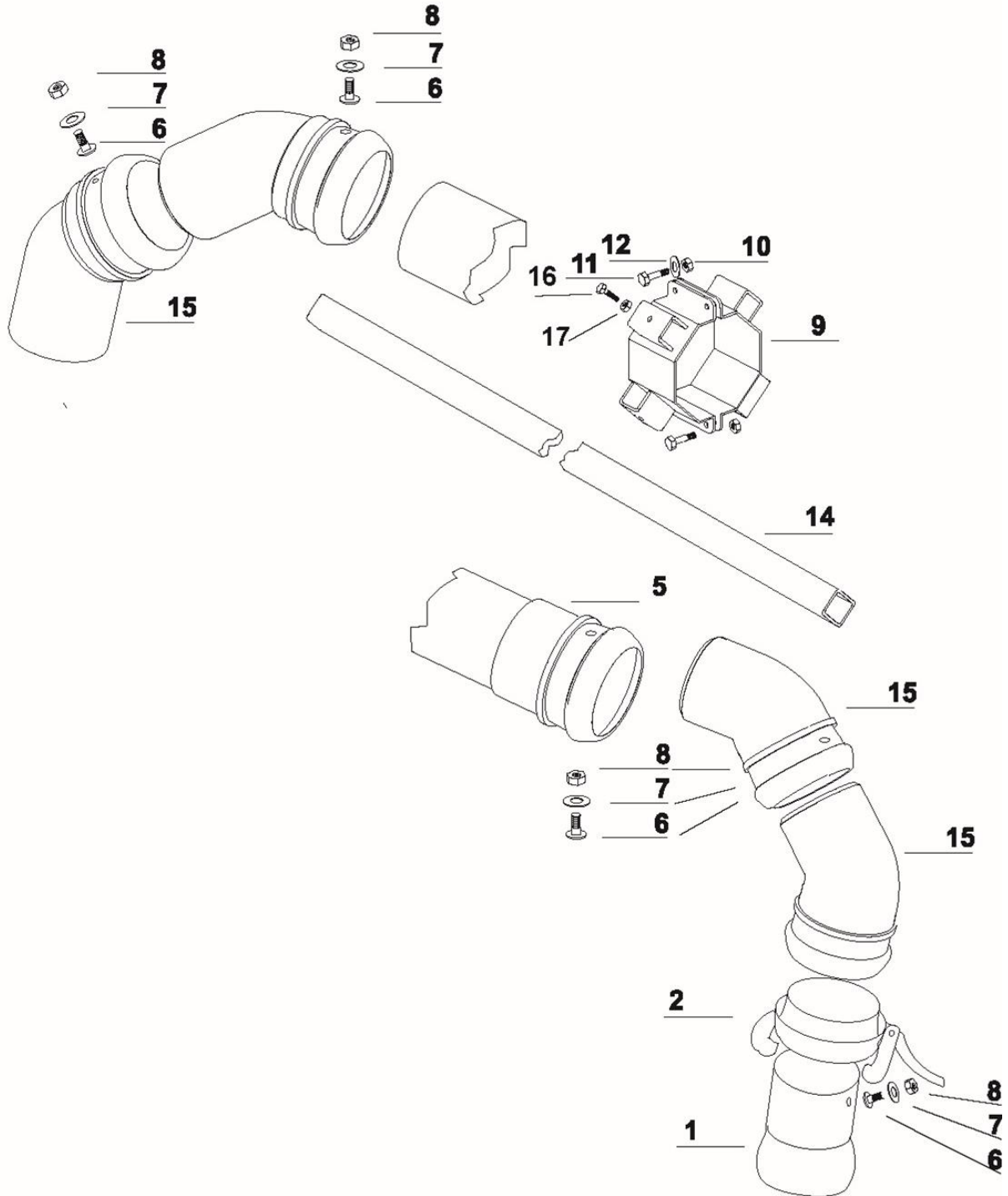
DUUN

Slurry pump SP200

Group: 131-2-3

Rod pump loading system

Edition: 0205





Spare parts catalogue

DUUN

Slurry pump SP200

Group: 131-2-3	Rod pump loading system	Edition: 0205
----------------	-------------------------	---------------

Pos.no.	Qty.	Designation	Article no.	Comment
1	1	Bauer coupling 6" male w/tube connection, \varnothing 159	2957105	
2	1	Clamping ring for bauer connection 6 "	2957109	
5	1	Plastic tube PP 6 "w/ sleeve L: 4m	2244216	
6	5	Locking head screw M8x25	2441246	
7	5	Washer M8 hot galvanized	2539048	
8	5	Hexagon nut M8 hot galvanized	2481809	
9	2	Loading tube rack	1312026	
10	4	Locking nut M8 galvanized	2483609	
11	4	Hexagon screw M8x25 hot galvanized	2427246	
12	4	Washer M8 hot galvanized	2539048	
13	4	Hexagon nut M8 hot galvanized	2481809	
14	2	Support legs for rack L: 3m	1311899	
15	4	Plastic bend PP 45'	2245080	
16	2	Hexagon screw M12x35 hot galvanized 8.8	2427350	
17	2	Nut 6kt m12 hot galvanized 8.8	2481811	



Spare parts catalogue

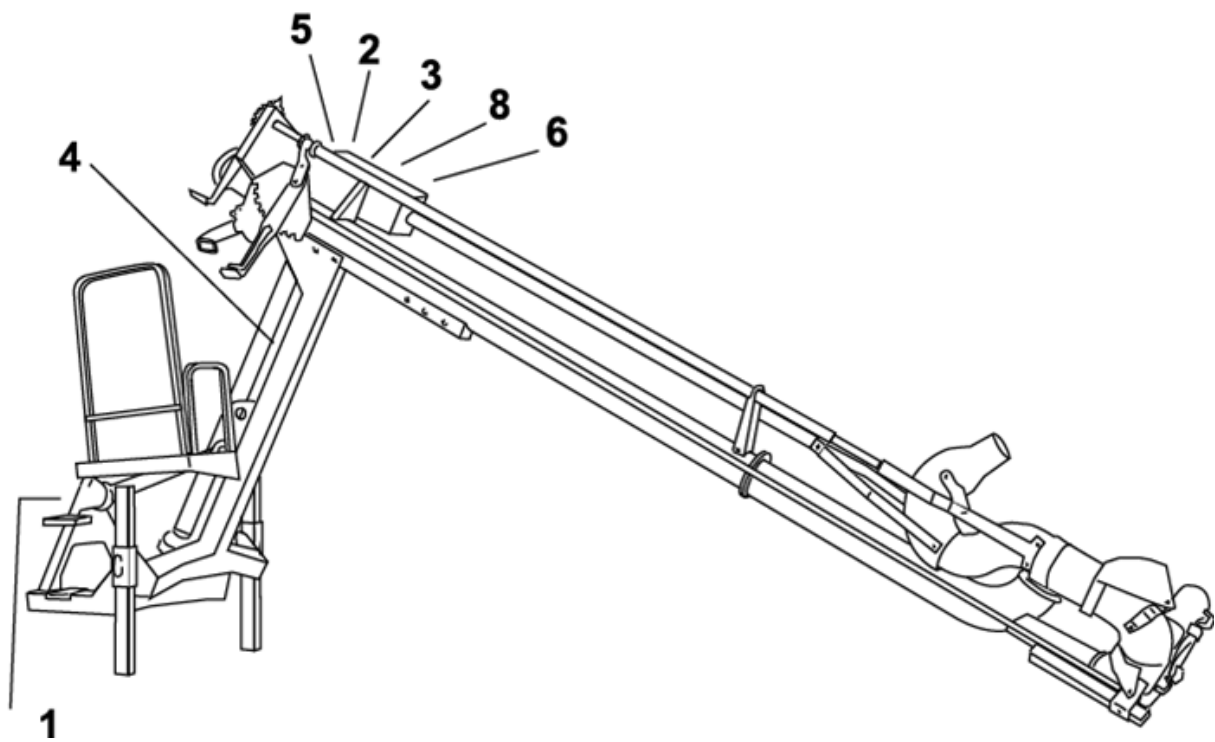
DUUN

Slurry pump SP200

Group: 131-2-3

Stickers

Edition: 0205





Spare parts catalogue

DUUN

Slurry pump SP200

Group: 131-2-3	Stickers	Edition: 0205
----------------	----------	---------------

Pos.no.	Qty.	Designation	Article no.	Comment
1	1	Crush hazard of tractor	2935069	
2	1	540 RPM	2935061	
3	1	Read instruction manual	2935064	
4	1	Hearing protection	2935067	
5	1	Danger of hanging loads	2935066	
6	1	CE mark	2935063	
7	1	Warm surfaces	2935085	
8	1	Gearbox maintenance	2935054	